

Main Assemblies

Figure 24

Main Assemblies

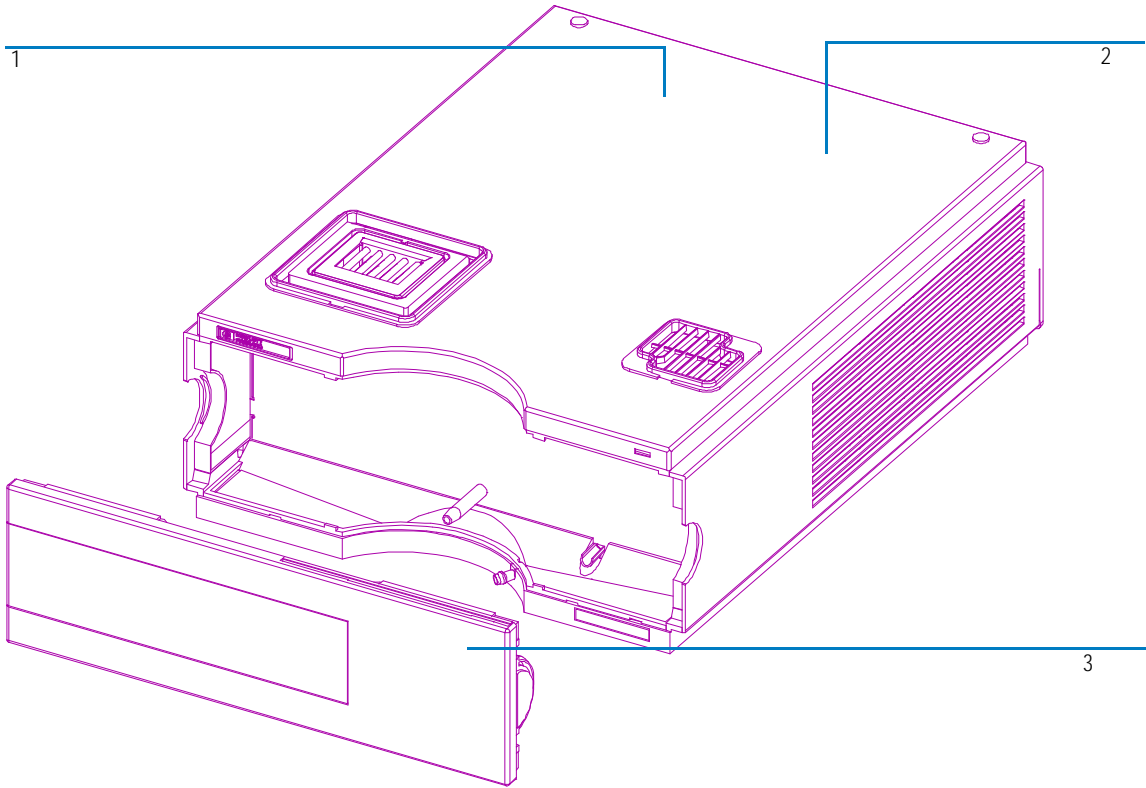


Table 11

Main Assemblies

Item	Description	HP Part Number
1	Fuse - Power Supply (T2.5A/250V; CSA, UL listed)	2110-0015
2	Fuse TCA - Board (T3A/250V; CSA, UL listed)	2110-0029
3	Front Cover	5062-8582
	Cable, autosampler - ALS thermostat	G1330-81600

Accessory Kit G1330-68705

Table 12

Accessory Kit

Item	Description	HP Part Number
1	Waste Tube *	5062-2463
2	Waste Tube Assembly	G1330-67300

* Reorder Number (5 m)